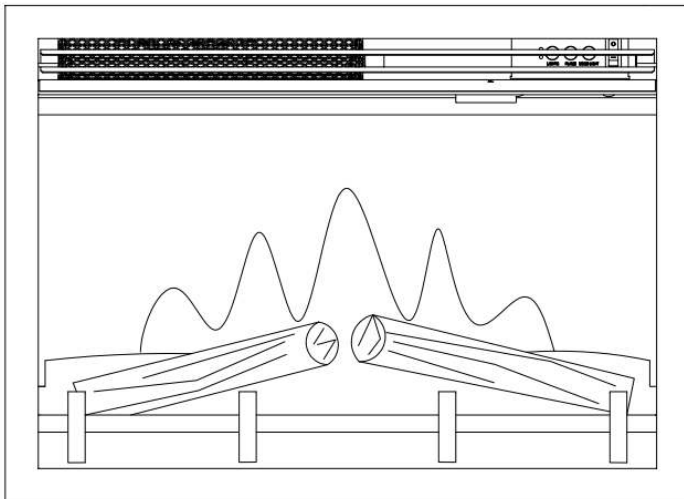


# **Inset LED Electric Fire**

**Model No.EF119B**

**Suit with Fireplace Mantel Model No.MT119X (X=A,B,C)**

## **INSTALLATION AND OPERATION INSTRUCTIONS**



**This product is only suitable for well insulated spaces or occasional use.**


**Please read the instructions carefully before installation or use and keep for future reference**



# CONTENTS

1. Important Safety Information.....	1
2. Technical Specifications .....	3
3. Parts and Hardware .....	4
4. Appliance Dimensions.....	5
5. Installation Instructions .....	5
6. Operating Instructions .....	8
6a. Manual Control Panel .....	9
6b. Remote Controls .....	10
7. Maintenance .....	11
8. Others.....	12

## 1. IMPORTANT SAFETY INFORMATION

- 1.1 Read all of the instructions carefully before using the appliance.
- 1.2 For indoor use only. This appliance is not suitable for use outside the house and **only suitable for well insulated spaces or occasional use.**
- 1.3 Do not use this appliance in the immediate surroundings of a bath, a shower or a swimming pool.
- 1.4 Do not use this fire as a free-standing appliance. It must always be fixed to the fireplace mantel listed in this manual.
- 1.5 This fire must not be located immediately below a socket-outlet.
- 1.6 This appliance must be earthed.
- 1.7 This appliance must not be supplied through an external switching device, such as a timer, or connected to the circuit that is regularly switched on and off by utility in order to avoid a hazard due to the inadvertent resetting of the thermal cut out.
- 1.8 Keep the power plug accessible after installation
- 1.9 If the power cord is damaged, it must be repaired by the manufacturer, its authorised service centre or professional person.
- 1.10 The meaning of figure  in marking is **“DO NOT**

**COVER”.** **Warning:** in order to avoid overheating, do not cover the appliance.

- 1.11 To reduce the risk of fire, keep textiles, curtains, or any other flammable material a minimum distance of 1 meter from the air outlet.
- 1.12 Keep the power cord away from hot surfaces and hot conditions. Do not route the power lead in front of the appliance.
- 1.13 Do not use this fire in rooms that have explosive gas in them (for example petrol), or if you are using solvents, glue, aerosol spray or in flammable paints, as these may catch fire.
- 1.14 Children shall not play with the appliance.
- 1.15 Children of less than 3 years should be kept away unless continuously supervised.
- 1.16 Cleaning and user maintenance shall not be made by children.
- 1.17 Children aged from 3 years and less than 8 years shall not plug in, regulate and clean the appliance or perform user maintenance.
- 1.18 Children aged from 3 years and less than 8 years only can switch on/off the appliance provided that it has been placed or installed in its intended normal operating position and instructions and supervisions concerning the safe way of the use of the appliance are offered.

1.19 This appliance can be used by children aged from 8 years and above and persons with reduced physical, sensory or mental capabilities or lack of experience and knowledge if they have been given supervision or instruction concerning use of the appliance in a safe way and understand the hazards involved.

1.20 Do not use this appliance in small rooms when they are occupied by persons not capable of leaving the room on their own, unless constant supervision is provided.

## 2. TECHNICAL SPECIFICATIONS

Model No.: EF119B

Supply Voltage: AC 220-240V 50Hz

Maximum power consumption: 2KW

Power for flame effect: 6W (LED 2W + Motor for flame 4W)

Power for mood light: DC12V, Max 3.12W, 0.26A

### Heat Output:

Nominal heat output (Pnom): 2KW

Minimum heat output(indicative) (Pmin): 1KW

Maximum continuous heat output (Pmax): 2KW

### Auxiliary Electricity Consumption:

At nominal heat output (elmax): 12.5W

At minimum heat output (elmin): 12.0W

In standby mode (eISB): 0W

### Type of heat output / room temperature control

Single stage heat output and no room temperature control	No
Two or more manual stages, no room temperature control	No
With mechanic thermostat room temperature control	No
With electronic room temperature control	Yes
Electronic room temperature control plus day timer	No
Electronic room temperature control plus week timer	No

### Other Control Options

Room temperature control, with presence detection	No
Room temperature control, with open window detection	No
With distance control option	No
With adaptive start control	No
With working time limitation	No
With black bulb sensor	No







## 3. PARTS AND HARDWARE

3.1 Unpacking the fire carefully, make sure that the appliance is intact with no signs of damage caused by transport and no part has been exposed to water. If in doubt, do not use the appliance and contact an authorised service centre.

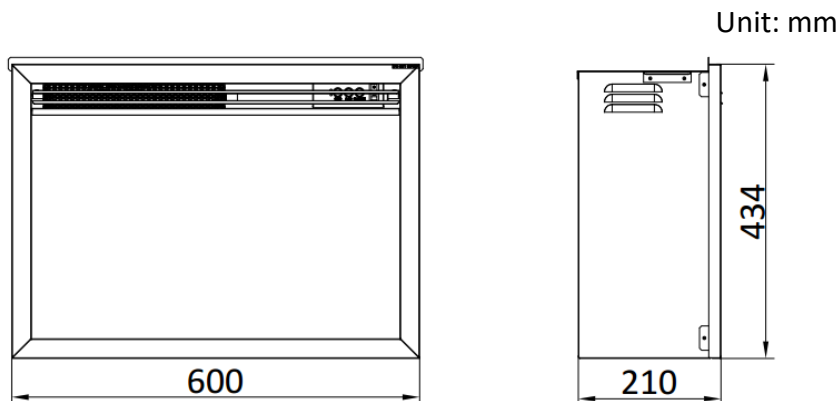
3.2 Keep plastic wrapping away from children.

3.3 Save the original packaging as this may be required in the event of service complaint with product.

3.4 Check that all parts are removed from the packing.

 <p>Remote Handset (1)</p>	 <p>Side decorative bracket (2)</p>	 <p>Instruction (1)</p>	 <p>AAA Battery (2)</p>
 <p>Screw ST4*12 (4)</p>	 <p>Screw ST4*8 (8)</p>		

## 4. APPLIANCE DIMENSIONS



## 5. INSTALLATION INSTRUCTIONS

### Tools Required

A screw driver will be needed.

### Locating the Appliance

Your new electric fireplace may be installed virtually anywhere in your home. However, when choosing a location ensure that the general instructions are followed.

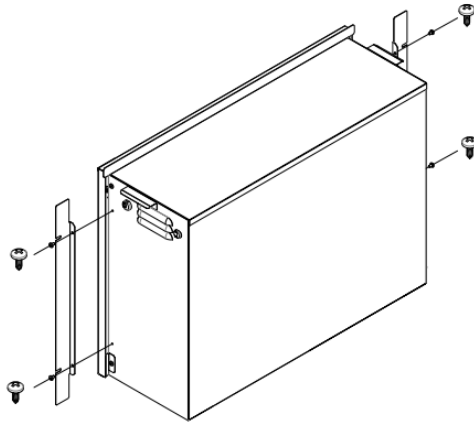
5.1 For best results, install out of direct sunlight.

5.2 The appliance should be connected to an earthed electrical outlet and it must be easily accessible to allow disconnection.

### Installing the Appliance

5.3 Take out side decorative brackets and ST4×8 screws, fix the side decorative brackets in the correct position as shown below paying attention to the direction.

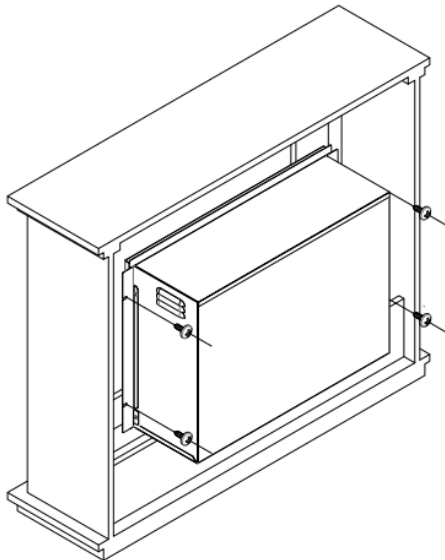




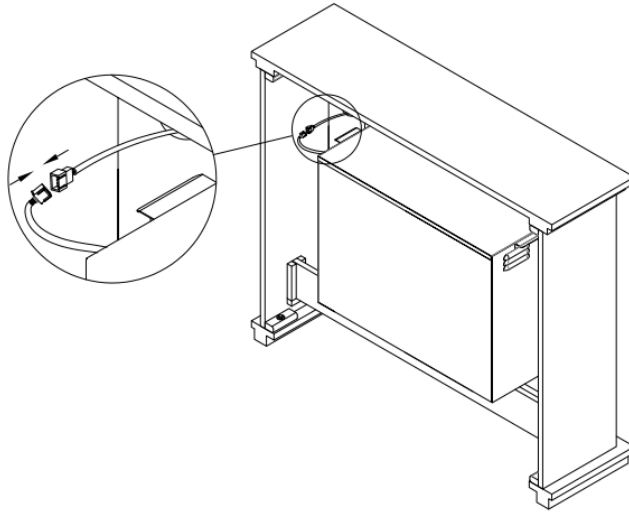
**This appliance can be fitted to 2 arrangements**

5.4 Fitting with mantle model No. MT119A

5.4a Install insert from the back of mantel, use 4pcs ST4×12 screws to fix insert to mantel.



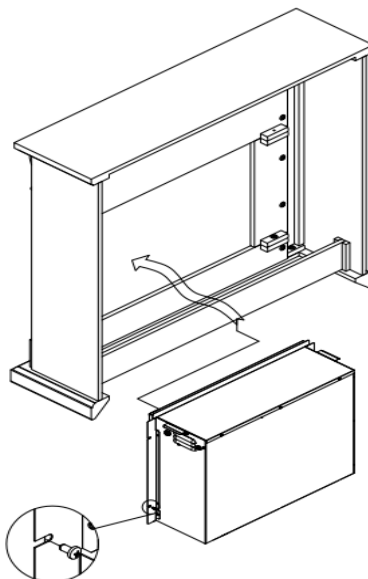
### 5.4b Connect the mood light.



Follow the installation instruction packed with MT119A for more details of mantel.

### 5.5 Fitting with mantle model No. MT119C

5.5a Install insert from the back of mantel, use 4pcs ST4×12 screws to fix insert to mantel.



5.5b Connect the mood light.

Follow the installation instruction packed with MT119C for more details of mantel.

**NOTE: Compatible mood lights are available from IN & OUT HOUSE GmbH. Other makes may not be suitable, and will void warranty.**

## 6. OPERATING INSTRUCTIONS

**WARNING! Do not operate the appliance if it is damaged or has malfunctioned. If you suspect the appliance is damaged or has malfunctioned call a qualified service engineer to inspect the appliance, and replace any part of the electrical system if necessary, before reuse.**

**WARNING! To reduce the risk of fire, keep textiles, curtains, or any other flammable material a minimum distance of 1 meter from the air outlet.**

**MAKE SURE** the plug fits tight in the outlet. Faulty wall outlet connections or loose plugs can cause the outlet to overheat.

**Do not** disconnect the power at the mains supply whilst the appliance is running. Use the functions on the remote to turn the fire off and ensure the mains switch has been moved to the off position before disconnecting.

### PREPARATION BEFORE USE

6.1 The appliance can be operated by both remote control and the manual controls on the appliance.

**NOTE: To use both remote and manual functions the manual on/off switch must be in 'ON' position. In order to prevent the product becoming too hot, there is 10s delay when turning on the heater and a 10s delay when turning off the heater fan.**

### Batteries

Ensure that the handset batteries are new and inserted correctly.

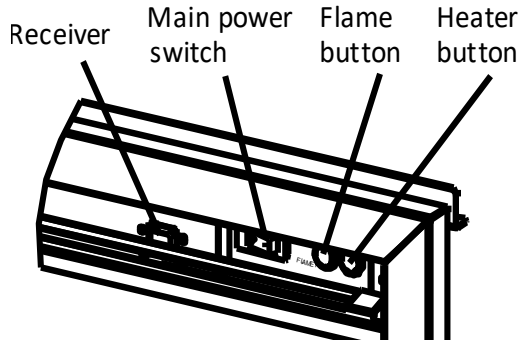
### Main Power Switch

6.2 The mains power switch is located on the control panel located on the right-hand side of the heater box.

6.3 Switch ON (—) before operating either the remote or manual controls.

6.4 A long beep is heard to indicate the fire is ready for use.

## 6a. MANUAL CONTROL PANEL



**NOTE: The flame will always be on when the appliance is on.**

6a.1 The manual buttons are located at the upper right of the appliance.

6a.2 Press “Mains Switch” to turn on or turn off the appliance. This switch must be in the “ON” position for any of the functions including the remote to work.

6a.3 Press “Flame” button to cycle through four flame effects.


6a.4 Press “Heater” to turn the fan on, press again to turn on the High heat, press the third time to turn the heat off. There are 3 levels you can cycle through including the OFF setting.

## 6b. REMOTE CONTROLS




**NOTE:** Make sure the batteries are installed properly in the remote control. The effective range of the remote control is up to 4 meters or 13 feet.

### Turn on/off

6b.1 Press  to turn turns appliance and flame effects on. Press again turns appliance and flame effects off.

### Flame Effect


6b.2 Press  to cycle through four flame effects.

### Heating

6b.3 Press  to cycle through three heating setting.


- Press once turns Low heat on. (Pilot lights illuminated ●○)
- Press once turns Low heat on. (Pilot lights illuminated ●○)

### Temperature


6b.4 Press  to adjust the temperature.

- Digital display shows the temperature setting 23°C (default setting), with 14 settings cycle from “OFF”, “16°C” to “28°C”.
- The TEMP will increase by 1°C up to 28°C when pressed each time.
- By pressing the TEMP for 3S, the digital display can show between °C and °F.

## Timer

6b.5 Press  to cycle from OFF, 0.5H, 1H, 2H, 3H, 4H, 5H, 6H, 7H, 8H, to 9H.

## Mood Light

6b.6 Press  to cycle through 14 effects including OFF setting.

## Resetting the Thermal Cut Out

6b.7 The appliance is fitted with an Electronic Safety Control (E.S.). This is a safety device, which switches off the fire if, for any reason, the appliance overheats, e.g. when covered. If the heater stops operating while the flame effect continues working normally, this indicates that the E.S. Control is in operation. The E.S. Control can only be re-set after the appliance has cooled down, and the appliance has been reset. Re-setting of the E.S. Control proceeds is as follows:

6b.8 Switch off the appliance (Manual On/Off switch) and leave it off for approximately 10-15 minutes.

6b.9 Remove any obstruction to the fan heater outlet or fan blades etc. Make sure that the power supply is disconnected with the plug socket outlet while doing this.

6b.10 Switch on the appliance and the E.S. Control will be re-set.

6b.11 Ensure that the appliance is functioning correctly. If the E.S. Control operates again, the appliance should be checked by a competent electrician.

## 7. MAINTENANCE

**WARNING:** Before any maintenance or cleaning of the exterior of the fireplace, the unit should be disconnected from the power supply until it is cool off.

### 7.1 Remote Handset Battery Replacement

Replace with two AAA batteries. Make sure the batteries are installed correctly in the remote control.

### 7.2 Maintenance of Motors

The motors used on the fan and flame effect are pre-lubricated for extended bearing life and require no further lubrication. However, periodic

cleaning/vacuuming of the fan/heater unit is recommended.

### 7.3 Cleaning the Fireplace

You can clean the exterior of the fireplace with a soft, damp, lint-free cloth. Do not use cleaning or polishing products. To remove fingerprints or other marks on the front glass panel, use a soft, damp, lint-free cloth with a good quality household glass cleaner. The front glass panel should always be completely dried with a clean, lint-free cloth or paper towel.

**CAUTION:** Abrasive cleaners should not be used on the glass panel. Liquids should not be sprayed directly onto any surface of the unit.

## 8. Others

### Environment



Meaning of crossed –out wheeled dustbin:

Electrical appliances should not be disposed as unsorted municipal waste. Separate collection facilities should be used in the disposal of electrical appliances. Contact your local government for the information about the available collection systems. If electrical appliances are disposed of in landfills or dumps, hazardous substances can leak into the groundwater and get into the food chain, damaging your health and well-being. When old appliances are replaced by the new ones, it is a legal oblige for the retailer to take back the old appliance for disposals at least free of charge.



This fire complies with the Safety Standards EN 60335-1 and EN 60335-2-30 which covers the essential requirements of the Low Voltage Directive 2014/35/EU and the EMC standards EN 55014-1; EN 55014-2; EN 61000-3-2 and EN 61000-3-3 which covers the essential requirements of the European Electro Magnetic Compatibility 2014/30/EU.



**Έκθεση - Τεχνική Υποστήριξη**

Συγγορού 2 & Παλαιολόγου, 15232 Χαϊθάνδρι

Τηλ.: 210 68.30.351 - 352, Fax: 210 68.39.848

www.sieline.gr • e-mail: info@sieline.gr