

# Installation Guide:

for the Warmup **tempo** Digital Programmable Thermostat  
Part of the Element Series

# Warmup

The best underfloor heating - **guaranteed**™

## Introduction

The **tempo** thermostat is designed to aid in the comfort of your home by providing timed regulation of your Warmup underfloor heating system. The thermostat is designed to receive temperature input signals from the following sensors:

1. Air sensor located inside the thermostat
2. Floor sensor installed in the floor to be heated (see Warmup heater instructions for details)

The thermostat is not a safety device and should only be used with Warmup heating products. In order to avoid damaging your flooring the correct floor type must be selected during the thermostat programming process.

### Electrical Specification:

- Supply voltage: 230V +/-15% at 50Hz
- Thermostat is not designed for use with intermittent power supply.
- Maximum Switch Load: 16A resistive
- Insulation Class : II
- Housing : IP20
- Sensor NTC : 10K @ 25°C
- Standards: EN60730-1 & EN60730-2-9
- Meets LVD and EMC directives for safety and electromagnetic compatibility

### WARNING – Important safety note

This product uses mains voltage electricity and work should only be carried out by a qualified electrician. You should always isolate the power supply before attempting to install or repair the **tempo** thermostat. The thermostat should not be put into operation unless you are certain that the entire heating installation complies with current general safety requirements for electrical installations. Electrical installation must be in accordance with the latest IEE Wiring Regulations and appropriate Statutory Regulations.

## Thermostat location

The thermostat should be installed inside a single gang electrical wall box that is at least 32mm deep. For optimal performance, the thermostat should be located in an area with good ventilation. It should not be installed beside a drafty window/door, in direct sunlight or above another heat generating device (e.g. Radiator or TV). The thermostat is designed for operation between 0°C and 50°C with relative humidity less than 80%.

## Location and installation of floor sensor

The optimum location of the floor sensor is described in each Warmup heater installation manual. Refer to that manual when selecting floor sensor location.

Warmup recommend the use of conduit when installing the floor sensor. The conduit will protect the sensor and will allow easier repair of the sensor in the case of sensor damage after flooring has been laid.

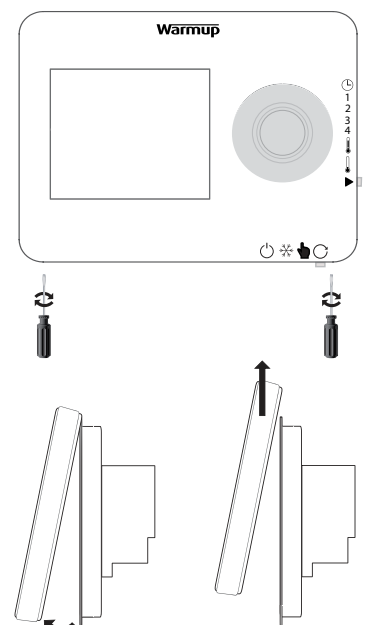
## Installation:

Separate the front housing of thermostat from the wall module:

1. Unscrew both closing screws (bottom of thermostat) until they will not turn any further.
2. Release front housing by gripping the lower half of outer frame and pulling outwards then upwards.
3. Place front housing somewhere safe.
4. Run all wires to the wall box. Check to ensure that you have included the following:
  - Power (Live and Neutral)
  - Heater (Live and Neutral)
  - Floor sensor
  - Fil pilote (France only)
5. Pull wires through the wall box and complete terminal wiring.

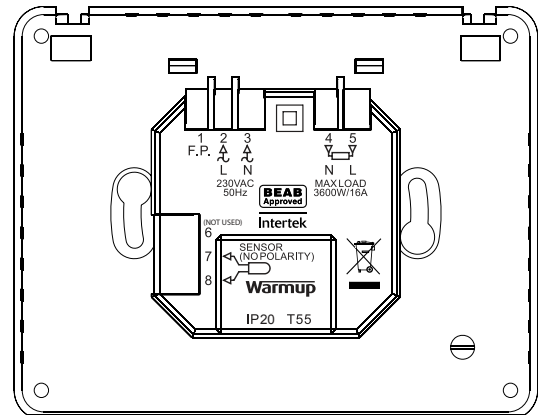
**IMPORTANT:** Ensure that multi strand wires are fully inserted into the terminal and secured tightly. **Any loose strands should be trimmed as they could cause a short-circuit.**

**If connecting more than two heaters, an electrical junction box will be required.**



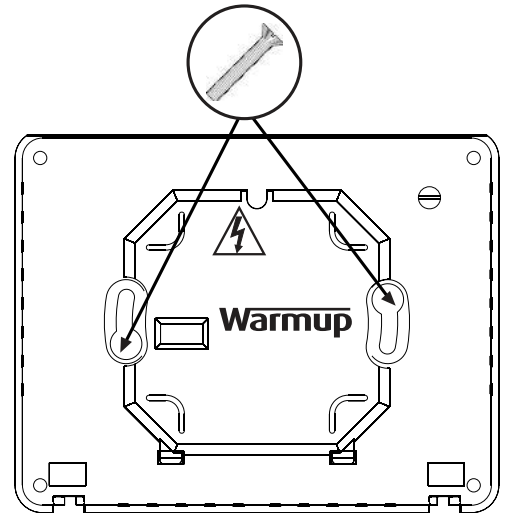
## Normal electrical installation (see numbering on diagram to right)

1. Connect to Fil Pilote (F.P.) - only for use in France
2. Connect to Power Supply (Live – MAX 240V)
3. Connect to Power Supply (Neutral – MAX 240V)
4. Connect to Warmup heater(s) (Neutral – MAX 3600W/ 16 Amps)
5. Connect to Warmup heater(s) (Live – MAX 3600W/ 16 Amps)
6. Not Used
7. Connect to 1st wire of floor sensor (colour not important)
8. Connect to 2nd wire of floor sensor (colour not important)



## Mounting thermostat into the wall box

1. Push excess wire back through the wall box and insert thermostat back module into wall box.
2. Put fixing screws through mounting holes and tighten.
3. Ensure that thermostat is straight before tightening completely.
4. Replace thermostat front housing:
  - Align and sit front housing on to hinges
  - Push lower half of front housing until a 'click' is heard.
5. Ensure front housing is securely fixed.
6. **IMPORTANT:** Tighten both retaining screws.



## Powering-up

You can now power-up the thermostat and begin the programming process.

## Contact Warmup

UK  
Warmup Plc  
702 Tudor Estate  
Abbey Road  
London  
NW10 7UW

Warmup Ireland  
Web: [www.warmup.ie](http://www.warmup.ie)  
Email: [ie@warmup.com](mailto:ie@warmup.com)  
Telephone: 1 800 937 429

### Disposal

Appliances with this symbol must not be disposed of with general waste. Seek guidance from your local government or the retailer where you purchased the product.



# Patent Pending

